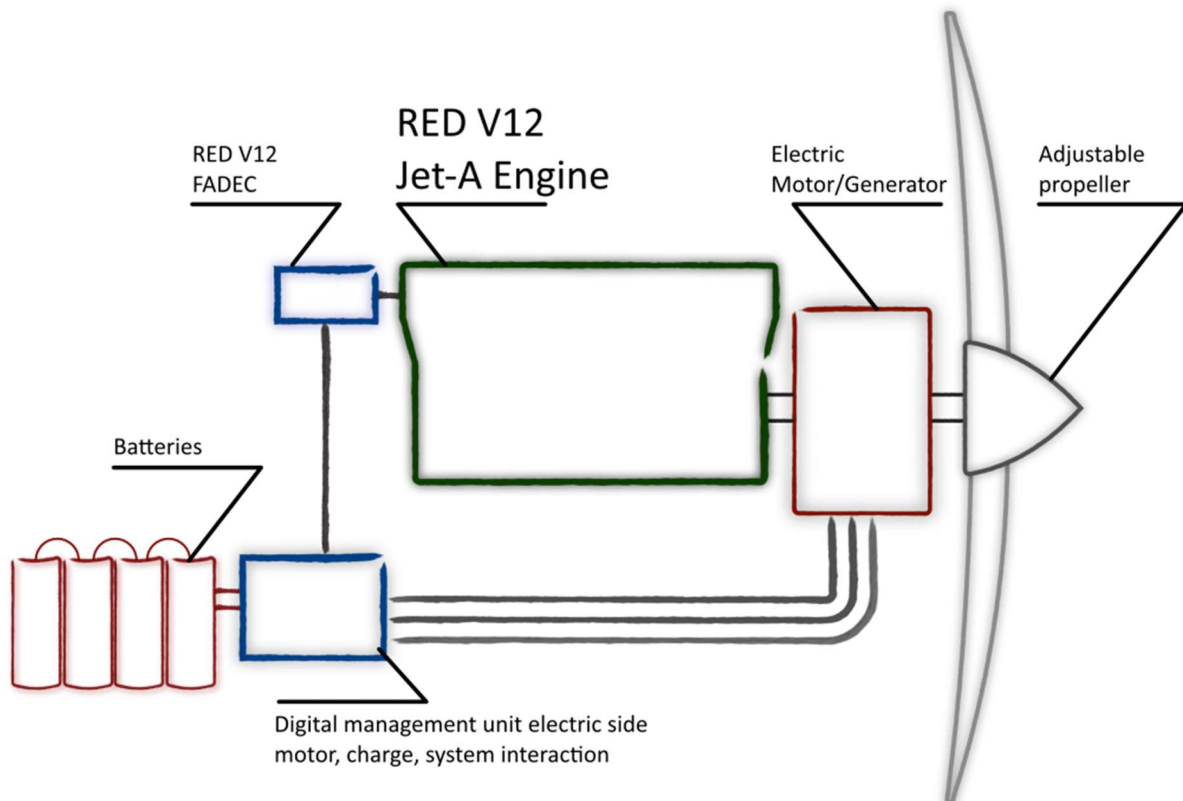


RED Aircraft & CMD Costruzioni Motori Diesel powering HYBRID sustainability

If the conventional engine is SAF (Sustainable Aviation Fuel) capable like the entire RED A03 Engine Series, the result is approaching CO2 "net-zero".

RED is working closely with the Italian based company C.M.D. Costruzioni Motori Diesel S.p.A. to realize RED Aircraft powered parallel Hybrid Systems (see picture below) as well as serial Hybrid Systems, where CMD is responsible for the integration of all electrical components like electric motor or generator plus inverters and batteries.



About RED Aircraft – Home of the V12 & further Type Certified Diesel Engines 200 - 600 HP

RED Aircraft is a brand of Raikhlin Aircraft Engine Developments GmbH based in Adenau, Germany. RED Aircraft is developing highly sophisticated, innovative and Type Certified Diesel engines for aviation. The award winning RED A-03 aircraft engine series is a highly fuel efficient V12 compression-ignition engine operated with an inhouse developed single lever FADEC, offering a performance range from 500 to 600 HP, with or without gear box for the General Aviation, Advanced & Urban Air Mobility, small Commercial Aircraft, Airships and high altitude applications always intending to improve the eco balance of the entire powertrain. www.red-aircraft.com